

Extreme Composting



Feb 2013
Sowmya
Somnath, PE



Khopade Family Latrine
Maharashtra, India
2012

Why?

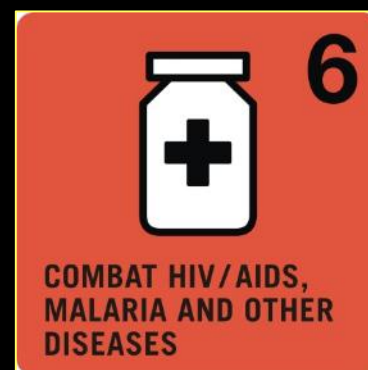
- Set in
2000

- Goals for
2015

- Signed by
all UN
members



Millennium Development Goals





2.5 BILLION

NO ACCESS TO
ADEQUATE
SANITATION

2.5 MILLION

LIVES
LOST

\$260 BILLION

LOSS FOR
GLOBAL
ECONOMY

WHO/UNICEF Joint Monitoring Programme Report 2012 & WHO
Global Burden of Disease 2008 update

Challenges



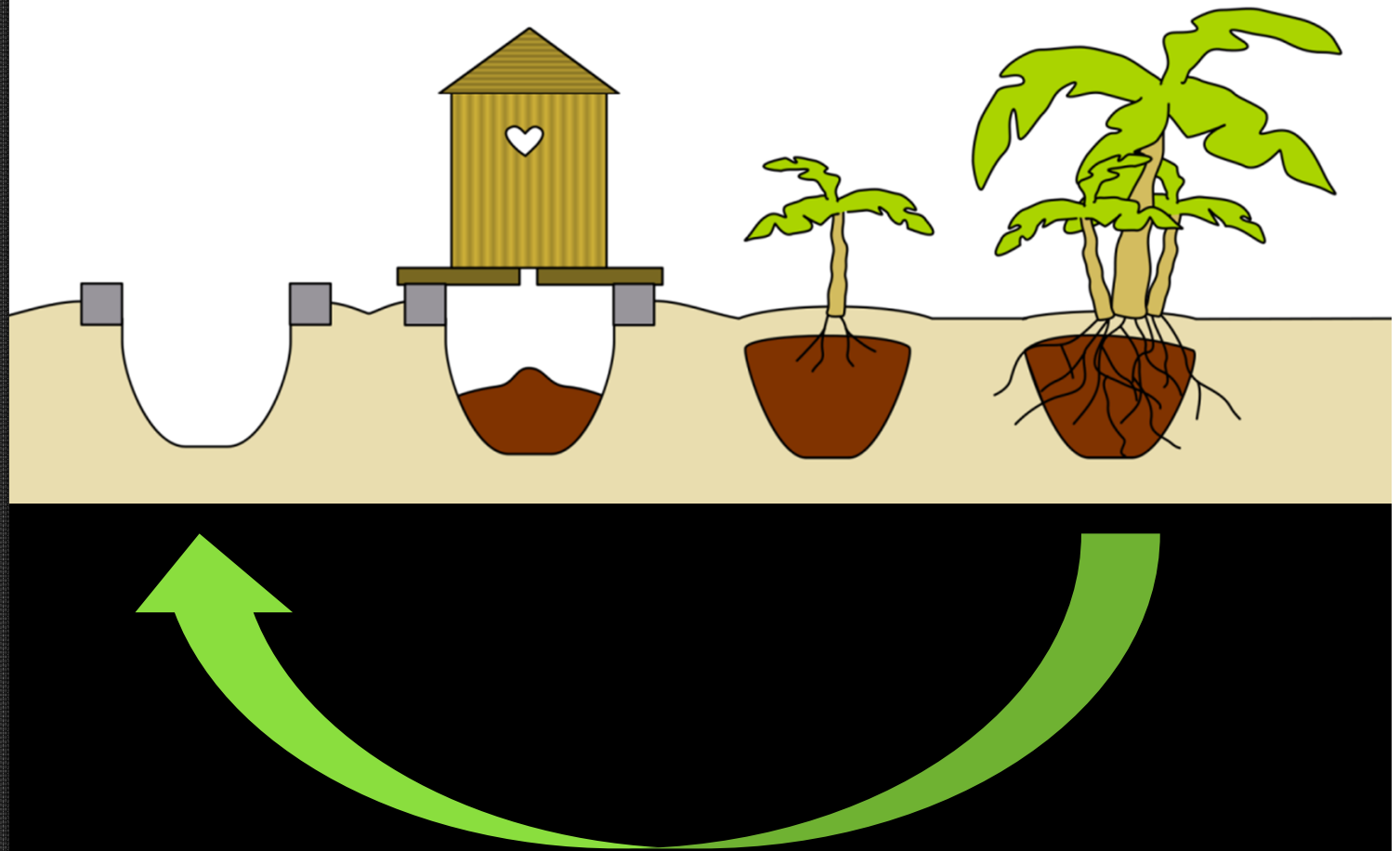
- Economic
- Socio Cultural
- Operations & Maintenance



Arbor Loo Burkina



- Aerobic decomposition
- Use of soil, peanut shells, leaves
- Simple superstructure



Arbor Loo Burkina



- Aerobic decomposition
- Use of soil, peanut shells, leaves
- Simple superstructure



Arbor Loo Burkina



- Aerobic decomposition
- Use of soil, peanut shells, leaves
- Simple superstructure



Arbor Loo Burkina



- Aerobic
decompositio
n

- Use of soil,
peanut shells,
leaves

- Simple
superstructur
e



Arbor Loo Burkina



- Aerobic decomposition
- Use of soil, peanut shells, leaves
- Simple superstructure



Arbor Loo Burkina

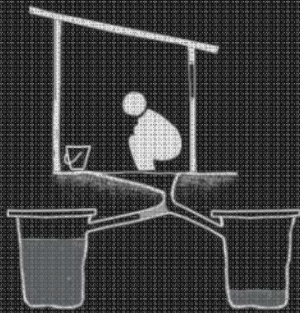


- 4 to 7 times
improved
growth rate

- Reusable



2 pit pour flush - India

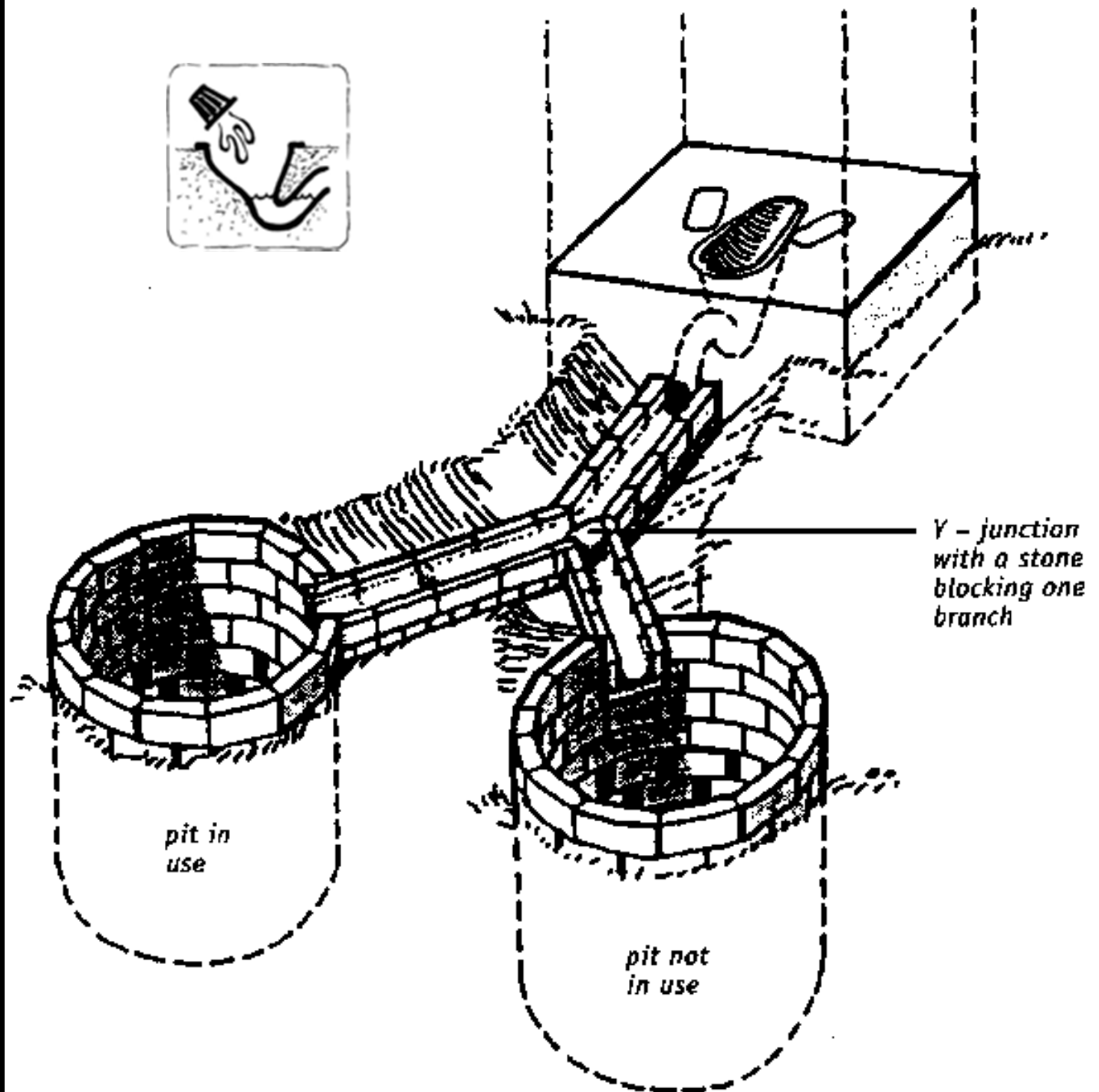


- Water use ok

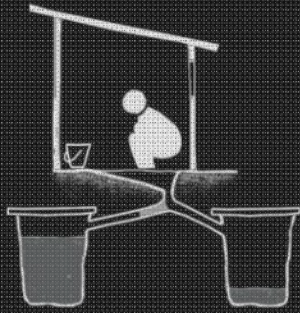
- Anaerobic digestion

- 2 pits for lifetime use

- Water seal



2 pit pour flush - India



- Water use ok
- Anaerobic digestion
- 2 pits for lifetime use
- Water seal



Socio Cultural



- Awareness to adoption
- Non health benefits
- Local Context
- Build demand!





Socio Cultural



- Behavior change
- Mapping
- Exposure Trips
- Community Immersion



Socio Cultural

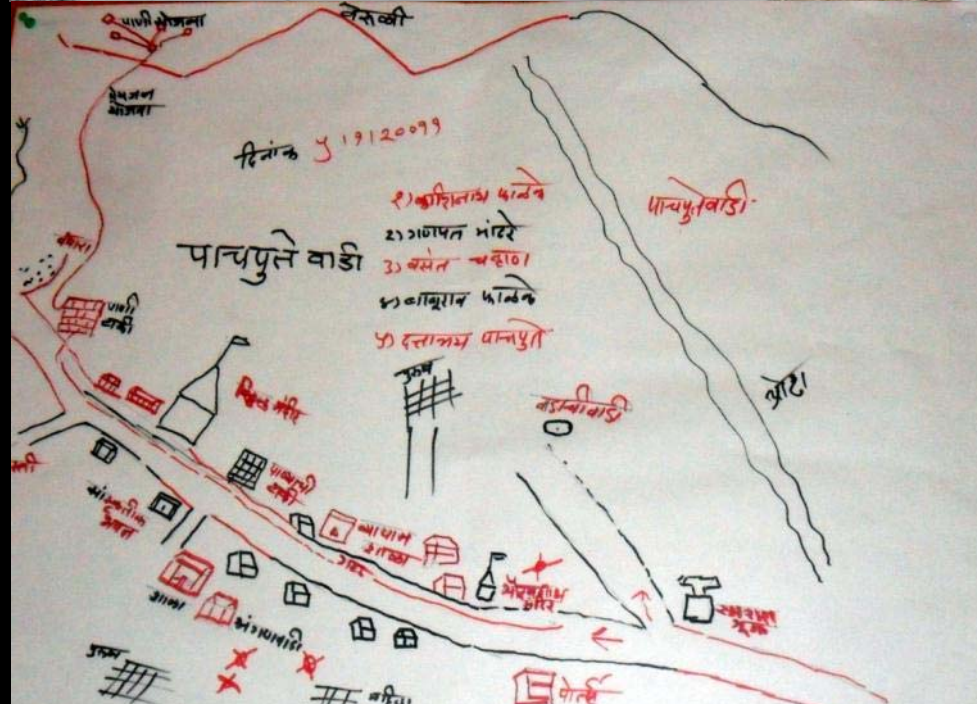


-Behavior change

-Mapping

- Exposure Trips

- Community Immersion



Socio Cultural



Non Health Benefits:

- Privacy/Dignity
- Safety
- Convenience
- Status
- Cost savings



Operations & Maintenance



- Followup
- Quality checks
- Mason Training
- Robust design



Narmada



- 8 years of no use
- Built in a day
- Community Support



Baban & Lila



- A buffalo for
Toilets!

- Promoter
within village



Scale



- Burkina:
 - 5 villages
 - 120 people

- India:
 - 2 villages
 - 150 toilets over 9 months
 - 25 over 7 months
 - 700 people



Thanks!



sowmya@
watershedmg.org

View more info at
watershedmg.org
/webinars/soils

